



Bathtubs

BC 01

CUBE COLLECTION

Design Wetstyle Design Lab

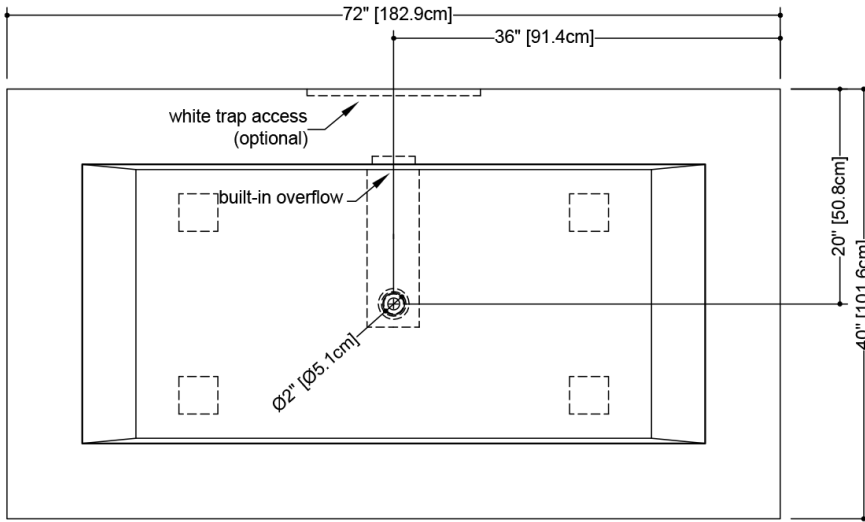


FEATURES

- Handcrafted in Montreal, Canada
- Integrated overflow
- Soft toe touch drain
- Plug & Bathe drain connection for quick install
- Wood bridge in Wenge shade included

TECHNICAL DETAILS

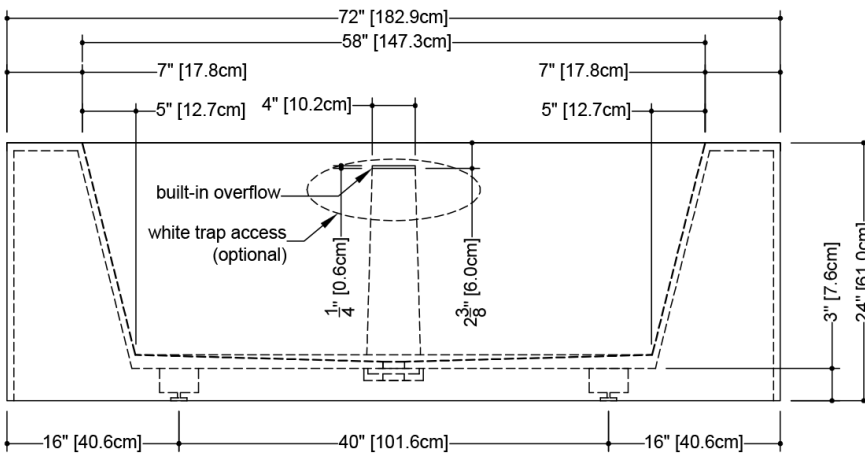
- **Width:** 40"
- **Length:** 72"
- **Height:** 24"
- **Weight:** 309 lbs / 140 kg



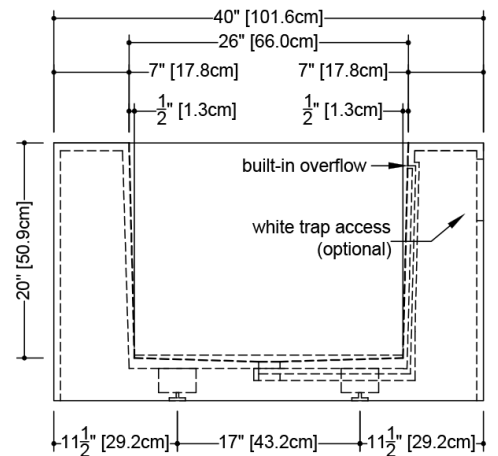
plan view

WETSTYLE Plug & Bathe™ overflow and drain connection system includes:

- Soft-touch pop-up drain, for built-in overflow. Fits both 1-1/2" ABS drain waste and 1-1/2" tubular brass
- 1-1/2" ABS Direct vertical drain waste fitting (copper/brass option also available)
- 1-1/2" ABS 90° Elbow drain waste fitting (copper/brass option also available)



front view

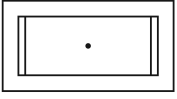


side view

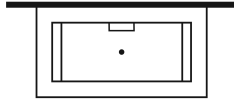
BC 01

WETSTYLE cannot be held responsible for any technical errors and reserves the right to make revisions without notice. Approximate measurement. The manufacturer accepts 1/4" (6.35mm) variance.

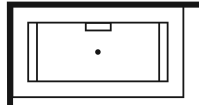
AVAILABLE CONFIGURATIONS



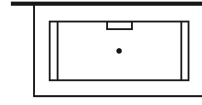
BC0101 - Freestanding



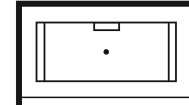
BC0102 - Back Wall



BC0104 - Left and Back Walls



BC0105 - Right and Back Walls



BC0106 - Three Wall Alcove

OPTIONS

Model

- BC0101 - Freestanding
- BC0102 - Back Wall
- BC0104 - Left and Back Walls
- BC0105 - Right and Back Walls
- BC0106 - Three Wall Alcove

Drain Overflow Trim Finish

- Polished Chrome Drain and Overflow (#PC)
- Satin Brass Drain - No Trim Overflow (#SBNT)
- White Drain - No Trim Overflow (#WHNT)
- Satin Brass Drain and Overflow (#SB)
- Brushed Nickel Drain - No Trim Overflow (#BNNT)
- Brushed Nickel Drain and Overflow (#BN)
- Matte Black Drain - No Trim Overflow (#MBNT)
- Matte Black Drain and Overflow (#MB)
- Polished Chrome Drain - No Trim Overflow (#PCNT)

WETMAR BiO Finish

- White True High Gloss (#GA)
- Stone Grey (#SGR)
- White Matte (#MA)

Plumbing Connection

- Copper/Brass Connection - local code dependant (#COP)
- Standard ABS Connection

CODES/STANDARDS APPLICABLES

IAPMO-ANSI Z124.1
IAPMO-ANSI Z124.3
CSA B 45.0
CSA B 45.4
Mass Board Approved

FAUCET AREA RECOMMENDED

Bath deck or floor-mounted

NOTES

OPTIONAL WHITE TRAP ACCESS (for deck-mounted faucet installation) is available on freestanding model by special order.

IMPORTANT - BATHTUB INSTALLATION SUPPLIES: A 1/4" tile flange will be supplied to comply with the requested position. Installed at the factory to prevent water leakage, this must be placed directly on the partition framing prior to the installation of drywall.